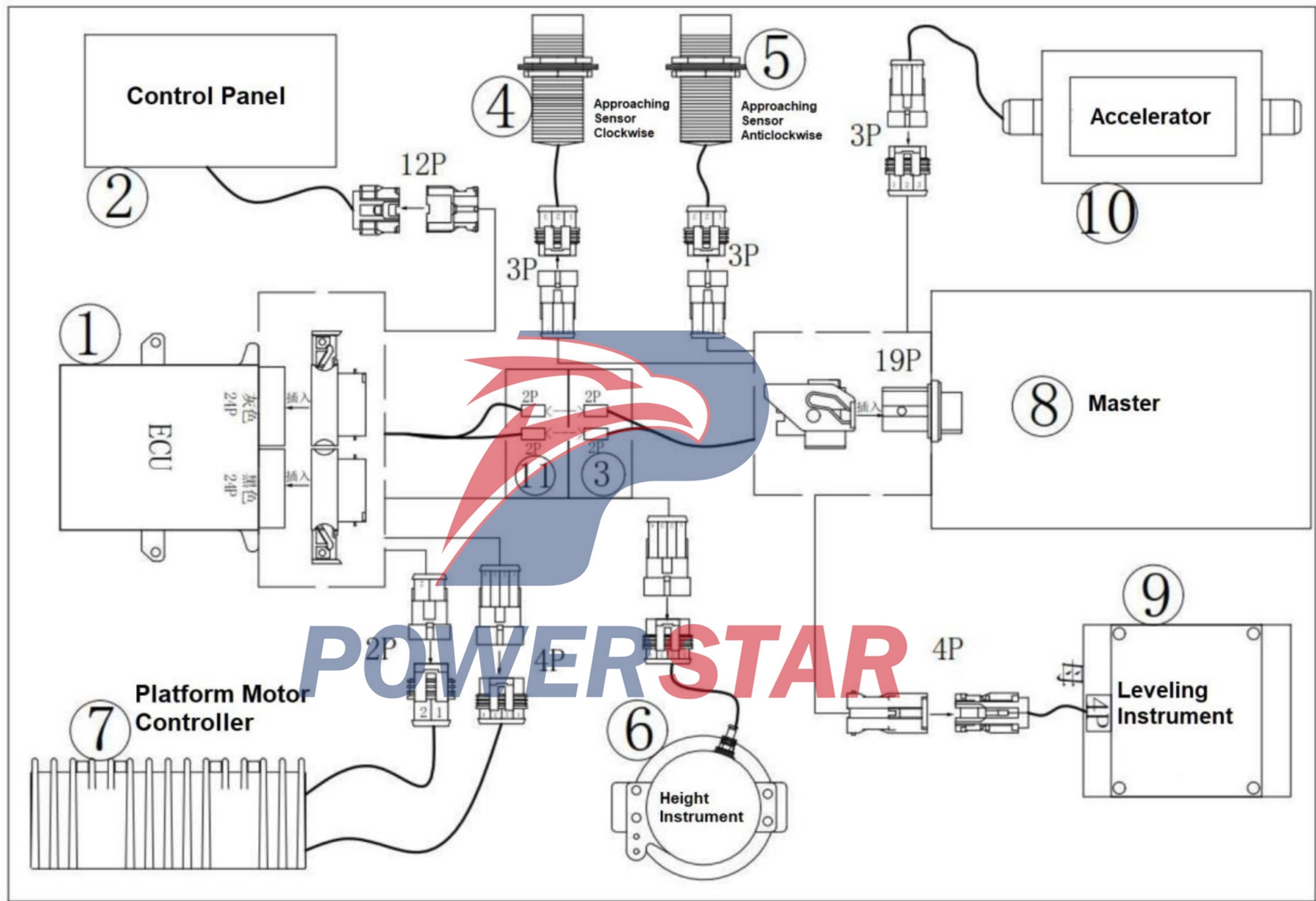
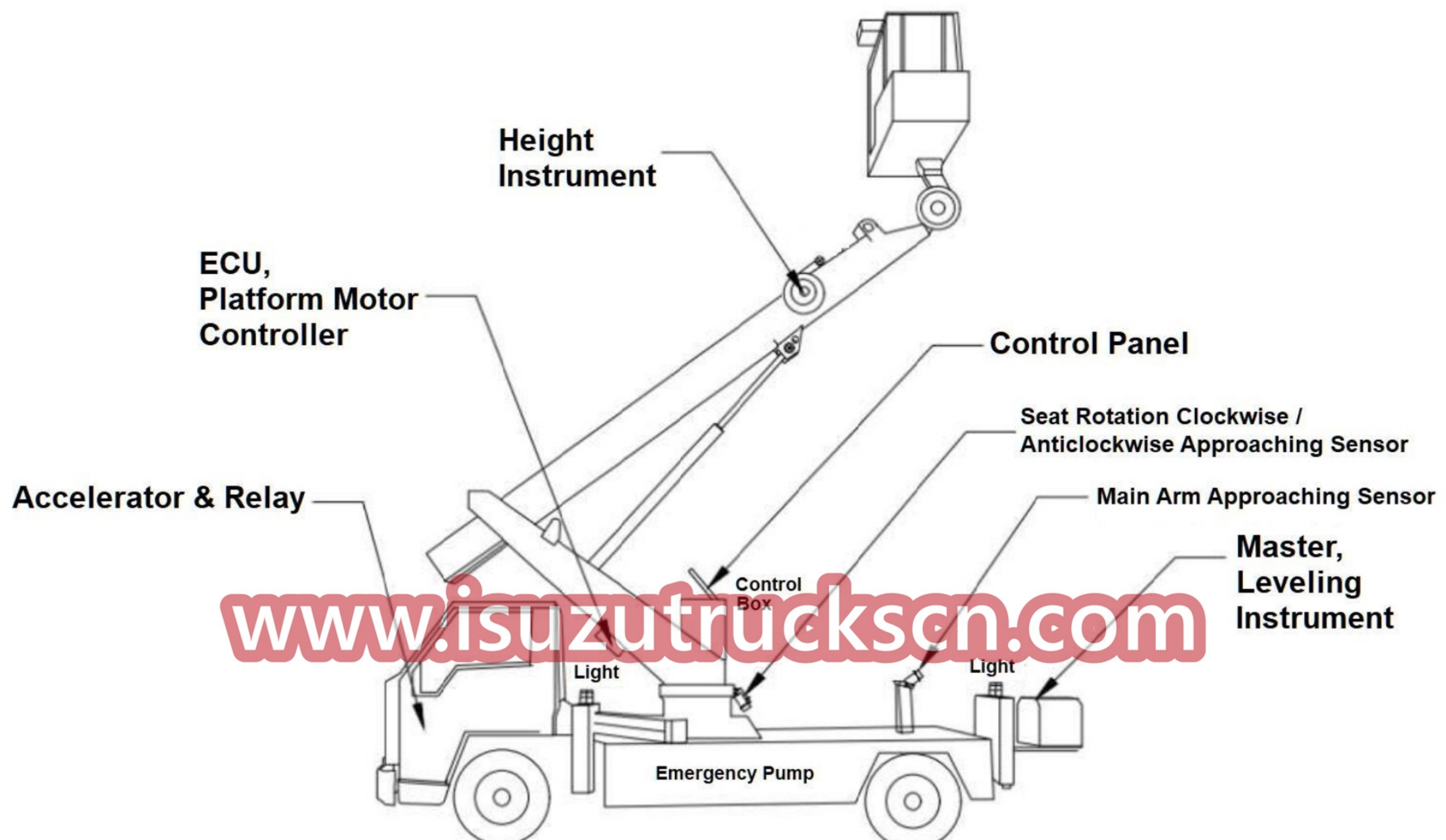


ISUZU 15m Straight Aerial Platform Truck Safety Monitoring System

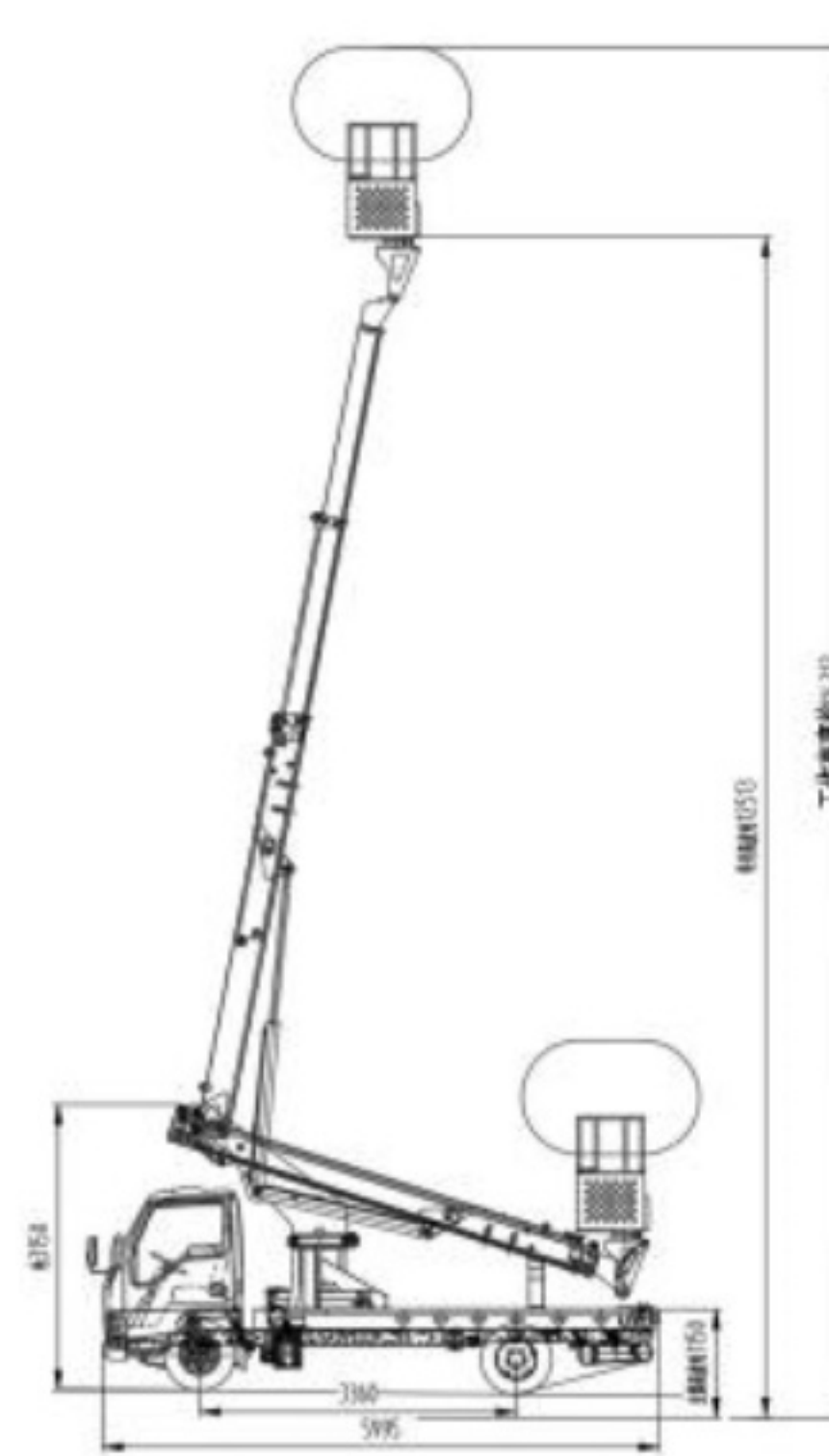
1. POWERSTAR aerial platform truck electric safety monitoring system introduction



2. Electric safety monitoring system installation on Isuzu aerial platform truck



www.isuzutrucks.cn.com

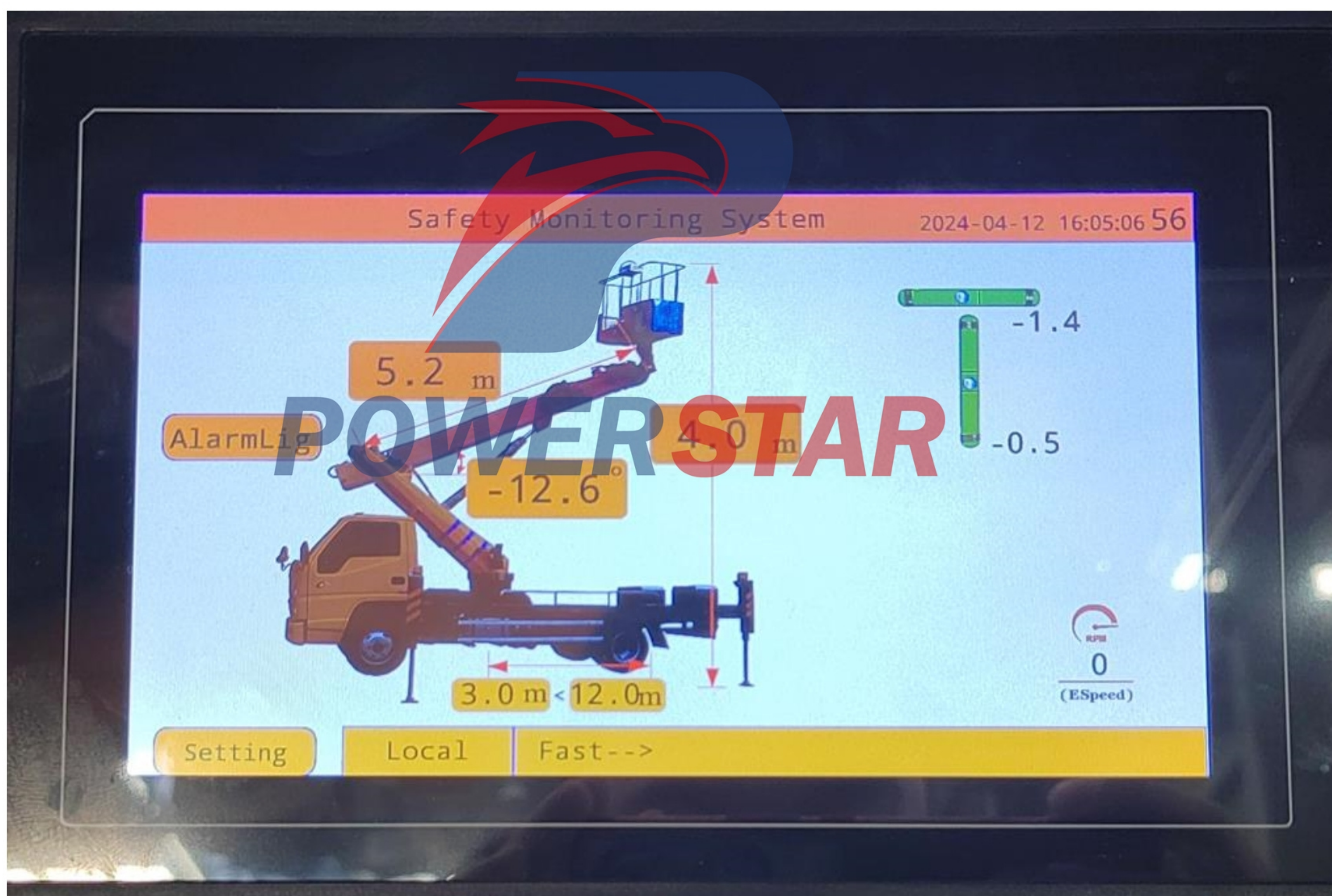


3. The below control panel screen can monitor the working status of Aerial Platform Truck in real time, the height, angle, leveling, etc. Which including below parameters for safety monitoring.

Password System: Already been well set before left factory, not suggest to adjust.

Truck Parameter: All parameters for hydraulic legs, boom arms system been well set. Which including the Extremely Parameter and Working Parameter

Adjust If Necessary: Both working angle and extension length can be adjust to alarm if need.



4. Approaching Sensor----When the seat and aerial platform crane rotation working, whether clockwise or anticlockwise, once plate shelter the Approaching Sensor, the safety monitoring system will alarm to warning operator that the crane already rotation to set angle, need to rotation on another way.

5. Leveling Instrument----When truck hydraulic legs fully extend out for normal working, If the ground is not flat, need to adjust hydraulic legs to make Leveling Instrument balancing, then can start operating truck, or monitoring system will alarm.

If the ground is flat, and 4 sets hydraulic legs fully extend out to make Leveling Instrument balancing, and start operating truck, during operation some hydraulic legs out of power or have some slant, the monitoring system will alarm and stop system working.